

Industrial Valves - Ball Valves Series GE2027

Genebre™ St/St Socket Weld 3pc ISO5211 Ball Valve



Main Features :-

1/4" to 4" Size Range

Socket Weld Ends

PN64 rated

-25c to + 180C Temp rating

ISO 5211 pad

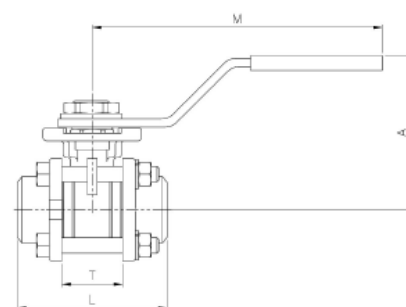
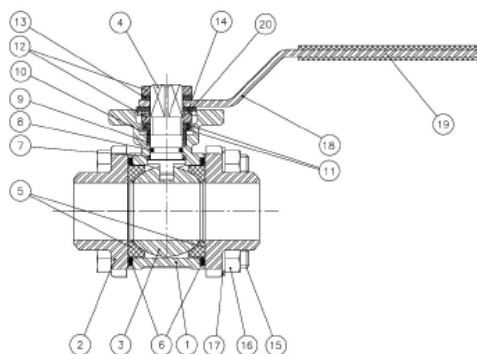
RPTFE seats

Viton Seals



TYPE: INDUSTRIAL VALVES

Dimensional Drawing:-



Nº	Denominación / Name	Material	Acabado Superficial / Surface Treatment	Cód. Recambio Spare Part Code
1	Cuerpo / Body	Acero Inox. / Stainless Steel 1.4408	Granallado / Shot blasting	-----
2	Tapa / Cap	Acero Inox. / Stainless Steel 1.4408	Granallado / Shot blasting	-----
3*	Bola / Ball	Acero Inox. / Stainless Steel 1.4408	Pulido / Polishing	2907
4*	Eje / Stem	Acero Inox. / Stainless Steel AISI 316	-----	2905
5*	Asiento / Ball Seat	PTFE + 15% F.V. / G.F.	-----	2820
6*	Junta / Gasket	PTFE + grafito / graphite	-----	2820
7*	Arandela / Thrust Washer	PTFE + grafito / graphite	-----	2820
8*	Tórica / O'ring	FKM	-----	2820
9*	Empaquetadura / Stem packing	PTFE	-----	2820
10	Anillo Prensa / Gland	Acero Inox. / Stainless Steel AISI 304	-----	-----
11	Arandela Belleville / Belleville Washer	Acero Inox. / Stainless Steel AISI 301	-----	-----
12	Tuerca / Nut	Acero Inox. / Stainless Steel AISI 304	-----	-----
13	Arandela / Washer	Acero Inox. / Stainless Steel AISI 304	-----	-----
14	Tope / Stopper	Acero Inox. / Stainless Steel AISI 304	-----	-----
15	Tornillo / Bolt	Acero Inox. / Stainless Steel AISI 304	-----	-----
16	Tuerca / Nut	Acero Inox. / Stainless Steel AISI 304	-----	-----

ISO 9001:2015 Accredited Company

Tel: +44(0)1386 552369

Fax: +44(0)1386 554227

sales@allvalves.co.uk

www.allvalves.co.uk

Allvalves Online Ltd, Automation House, Unit 2, Pershore, WR10 2DF UK

Additional Information:-

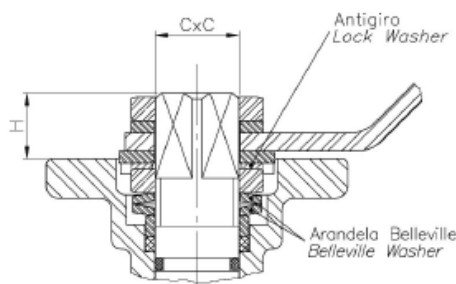
Nº	Denominación / Name	Material	Acabado Superficial / Surface Treatment	Cód. Recambio Spare Part Code
17	Arandela Grover / Grover washer	Acero Inox. / Stainless Steel AISI 304	----	----
18	Maneta / Handle	Acero Inox. / Stainless Steel AISI 304	----	----
19	Funda / Handle Sleeve	Vinilo / Vynil	----	----
20	Antigiro / Lock Washer	Acero Inox. / Stainless Steel AISI 304	----	----

* Piezas de recambio disponibles / Available spare parts

Únicamente en medidas de 2 ½" a 4" / For 2 ½" – 4" Sizes Only



Detalle de la zona de Eje / Stem detail



Antigiro / Lock Washer: Previene el desajuste de la tuerca del eje en elevados ciclos de maniobra / Prevents unthreading of stem nut in high cycle automation applications.

Arandela Belleville / Belleville Washer: Las arandelas belleville proporcionan una carga constante sobre el prensa asegurando un cierre firme en variaciones de condiciones de trabajo. / Standard belleville washers provide constant "live load" on the stem seals, assuring a tight seal even varying service parameters.

DIMENSIONES GENERALES / GENERAL DIMENSIONS

Ref.	Medida Size	PN	Ø P	K	Ø S	Dimensiones / Dimensions (mm)							Peso / Weight (Kg)
						A	L	M	T	H	C x C	ISO5211	
2027 02	1/4"	63	11	10	14.1	60	47.6	112	23	10	9 x 9	F03	0,380
2027 03	3/8"	63	12.7	10	17.6	60	47.6	112	23	10	9 x 9	F03	0,380
2027 04	1/2"	63	15	10	21.7	60	55	112	24	11	9 x 9	F03/F04	0,440
2027 05	3/4"	63	20	14	27.1	70	73	138	30	11	11 x 11	F04/F05	0,820
2027 06	1"	63	25	14	33.8	70	81	138	33.5	11	11 x 11	F04/F05	1,020
2027 07	1 ¼"	63	32	15	42.6	88	91	160	41.5	15	14 x 14	F05/F07	1,780
2027 08	1 ½"	63	40	15	48.7	94	103	205	51.5	15	14 x 14	F05/F07	2,470
2027 09	2"	63	50	19	61.1	100	120	205	63	15	14 x 14	F05/F07	3,400
2027 10	2 ½"	63	65	21	73.8	150	155	330	83.5	19	17 x 17	F07/F10	8,800
2027 11	3"	63	80	24	89.8	165	182	330	100	19	17 x 17	F07/F10	12,350
2027 12	4"	63	100	35	115.5	175	229	340	118.5	19	17 x 17	F07/F10	19,600

ISO 9001:2015 Accredited Company

Tel: +44(0)1386 552369

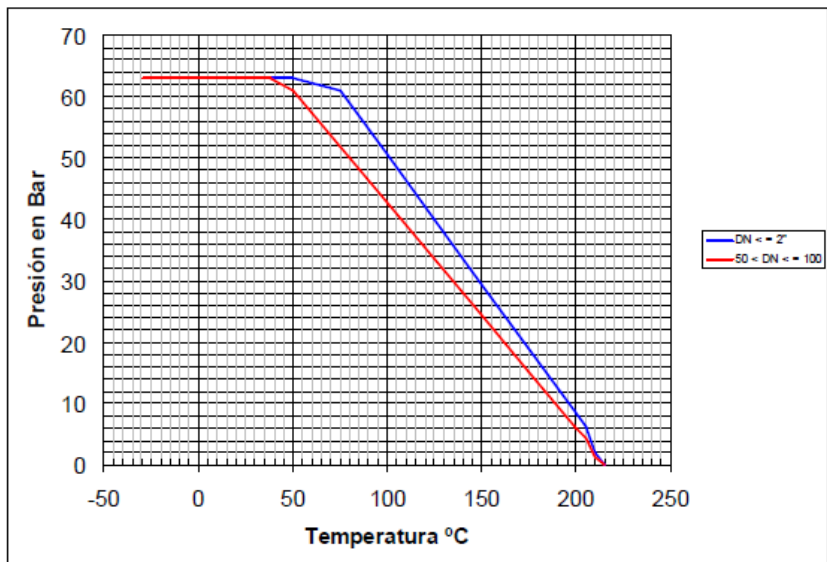
Fax: +44(0)1386 554227

sales@allvalves.co.uk

www.allvalves.co.uk

Allvalves Online Ltd, Automation House, Unit 2, Pershore, WR10 2DF UK

CURVA PRESIÓN TEMPERATURA / PRESSURE TEMPERATURE RATING

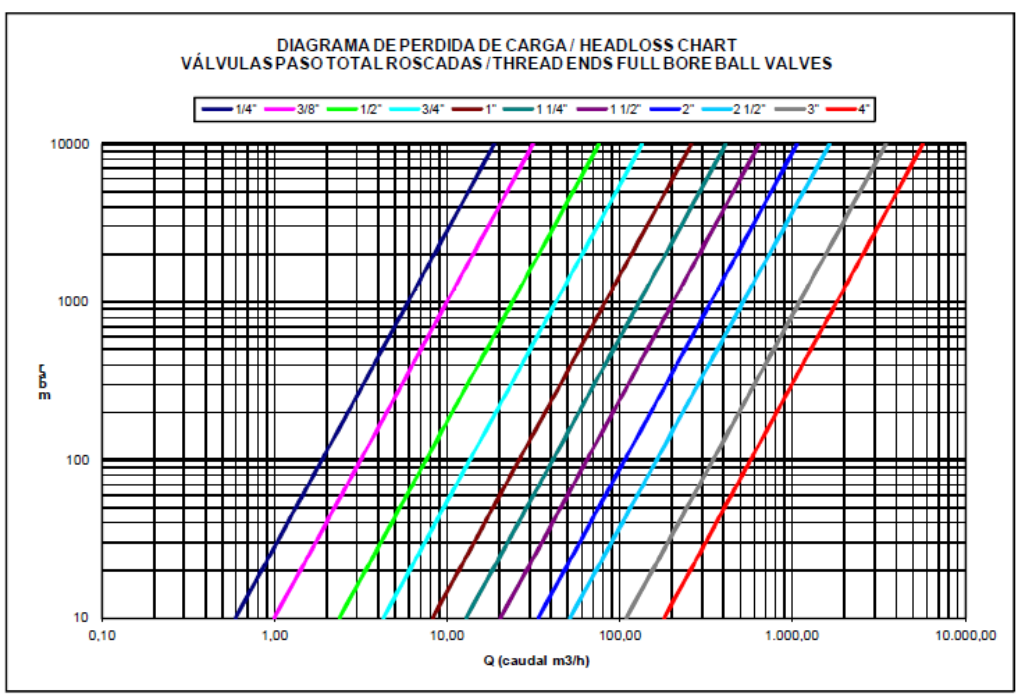


VALORES DE Kv / Kv VALUES

Kv = Es la cantidad de metros cúbicos por hora (m³/h) que pasará a través de la válvula generando una pérdida de carga de 1 bar.

Kv = Flow rate of water in cubic meter per hour (m³/h) that will generate a pressure drop of 1 bar across the valve.

1/4"	3/8"	1/2"	3/4"	1"	1 1/4"	1 1/2"	2"	2 1/2"	3"	4"
6	10	24	43	83	130	205	340	520	1100	1820



ISO 9001:2015 Accredited Company

Tel: +44(0)1386 552369 Fax: +44(0)1386 554227 sales@allvalves.co.uk www.allvalves.co.uk

Allvalves Online Ltd, Automation House, Unit 2, Pershore, WR10 2DF UK